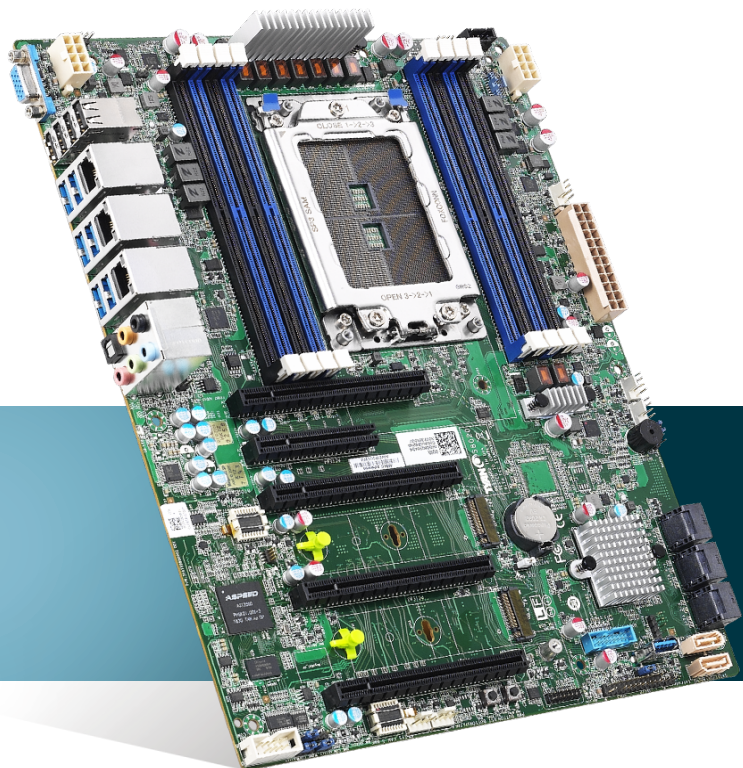
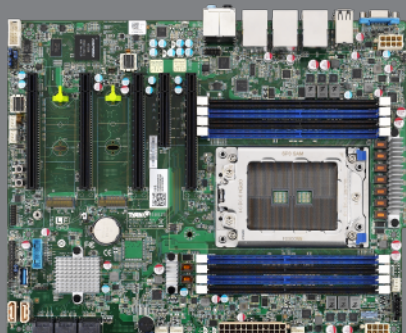


# AMD RYZEN THREADRIPPER WORKSTATION MOTHERBOARD



## Tomcat SX S8020

S8020AGM2NR-EX



■ AMD Ryzen™  
Threadripper™  
Processor

Single-socket motherboard designed for embedded & workstation

- Single TR4 Socket, Supporting (1) AMD Ryzen Threadripper Processor
- (8) UDIMM ECC/Non-ECC DDR4 2933, Up to 256GB
- (3) PCI-E Gen3 x16 + (1) PCI-E Gen3 x16 (w/ x8 link) + (1) PCI-E Gen2 x8 (w/ x4 link) slots
- (2) GbE + (1) IPMI ports
- ATX (12" x 9.6")



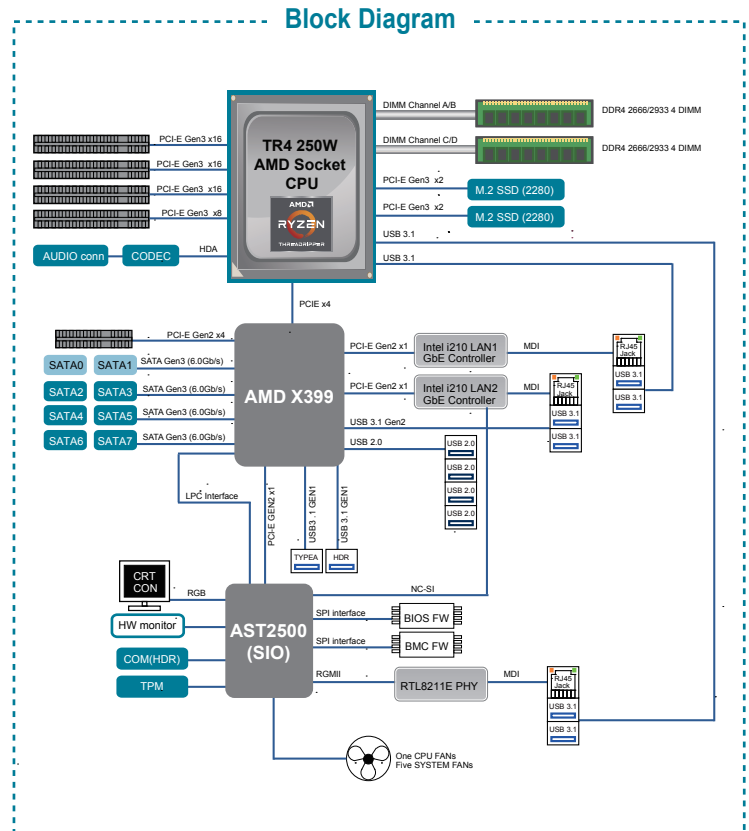
# Tomcat SX S8020

S8020AGM2NR-EX

# TYAN

## Specifications

<b>Processor</b>	<b>Q'ty / Socket Type</b>	(1) AMD Socket TR4
	<b>Supported CPU Series</b>	(1) AMD Ryzen™ Threadripper™ Processor
<b>Chipset</b>	<b>Chipset</b>	AMD X399
	<b>Supported DIMM Q'ty</b>	(8) DIMM slots
<b>Memory</b>	<b>DIMM Type / Speed</b>	UDIMM ECC/Non-ECC DDR4 2933
	<b>Capacity</b>	Up to 256GB
	<b>Memory channel</b>	4 Channels
	<b>Memory voltage</b>	1.2V
<b>Expansion Slots</b>	<b>PCI-E</b>	(3) PCI-E Gen3 x16 slots (1) PCI-E Gen2 x8 slot (w/ x4 link) (1) PCI-E Gen3 x16 slot (w/ x8 link)
	<b>LAN</b>	<b>Port Q'ty</b> (2) GbE ports, (1) dedicated GbE port for IPMI <b>Controller</b> Intel® I210 <b>PHY</b> Realtek® RTL8211E
<b>Storage</b>	<b>SATA</b>	<b>Connector</b> (6) SATA + (2) SATA-DOM
		<b>Controller</b> AMD X399
		<b>Speed</b> 6Gb/s
	<b>RAID</b> RAID 0/1/10	
<b>NVMe (M.2)</b>	<b>Connector</b> (2) 2280 (by PCI-E interface)	
<b>Graphic</b>	<b>Connector type</b>	D-Sub 15-pin
	<b>Resolution</b>	Up to 1920x1200
<b>Audio</b>	<b>Chipset</b>	Aspeed AST2500
	<b>Chipset</b>	Realtek ALC892-CG
<b>Audio</b>	<b>Feature</b>	7.1 ch
	<b>Input /Output</b>	<b>USB</b>
<b>COM</b>		(1) Header
<b>VGA</b>		(1) D-Sub 15-pin VGA port
<b>RJ-45</b>		(2) GbE ports, (1) GbE dedicated for IPMI
<b>Audio</b>		(1) 5 holes Audio Jack+SPDIF fiber connector
<b>Front Panel</b>		(1) 2x12-pin SSI front panel header
<b>SATA</b>		(6) SATA-III connectors + (2) SATA-DOM connectors
<b>Power</b>		SSI 24-pin + 8-pin + 8-pin power connectors
<b>TPM (Optional)</b>	<b>TPM Support</b>	Please refer to our TPM supported list.
<b>System Monitoring</b>	<b>Chipset</b>	Aspeed AST2500
	<b>Fan</b>	Total (6) 4-pin headers
	<b>Voltage</b>	Monitors voltage for CPU, memory, chipset & power supply
	<b>Temperature</b>	Monitors temperature for CPU, memory & system environment
	<b>LED</b>	Fan fail LED indicator, Over temperature warning indicator, Fan & PSU fail LED indicator
<b>Others</b>	Watchdog timer support	
<b>Server Management</b>	<b>AST2500 IKVM Feature</b>	24-bit high quality video compression / Supports storage over IP and remote platform-flash / USB 2.0 virtual hub
	<b>AST2500 IPMI Feature</b>	IPMI 2.0 compliant baseboard management controller (BMC) / 10/100/1000 Mb/s MAC interface
<b>BIOS</b>	<b>Brand / ROM size</b>	AMI / 32MB
	<b>Feature</b>	Hardware Monitor, Boot from USB device/PXE via LAN/Storage, User Configurable FAN PWM Duty Cycle, Console Redirection, ACPI 6.1, SMBIOS 3.1/PnP/Wake on LAN & ACPI sleeping states S0,S3,S4,S5



<b>Physical Dimension</b>	<b>Form Factor</b>	ATX
	<b>Board Dimension</b>	12" x 9.6" (305 x 243.8mm)
<b>Operating System</b>	<b>OS supported list</b>	Please refer to our AVL support lists.
	<b>FCC (SDoC)</b>	Class B
<b>Regulation</b>	<b>CE (DoC)</b>	Class B
	<b>RCM</b>	Class B
	<b>VCCI</b>	Class B
<b>Operating Environment</b>	<b>Operating Temp.</b>	10° C ~ 35° C (50° F ~ 95° F)
	<b>Non-operating Temp.</b>	- 40° C ~ 70° C (-40° F ~ 158° F)
	<b>In/Non-operating Humidity</b>	90%, non-condensing at 35° C Non-operating Relative Humidity: 10% to 95% (non-condensing)
<b>RoHS</b>	<b>RoHS 6/6 Compliant</b>	Yes

(Specifications are subject to change without notice. Items pictured may only be representative.)

MiTAC Computing Technology Corp  
TYAN Business Unit

USA  
Tel: +1-510-651-8868  
Fax: +1-510-651-7688

Taiwan  
Tel: +886-3-327-5988  
Fax: +886-3-327-6312

China  
Shanghai Tel: +86-021-61431188 #1361  
China Tel: +86-010-62381108 #2485

Japan  
Tel: +81-3-3769-8311  
Fax: +81-3-3769-8328

EMEA  
Tel: +44 07540328523  
Email: robin.daunter@tyan.com