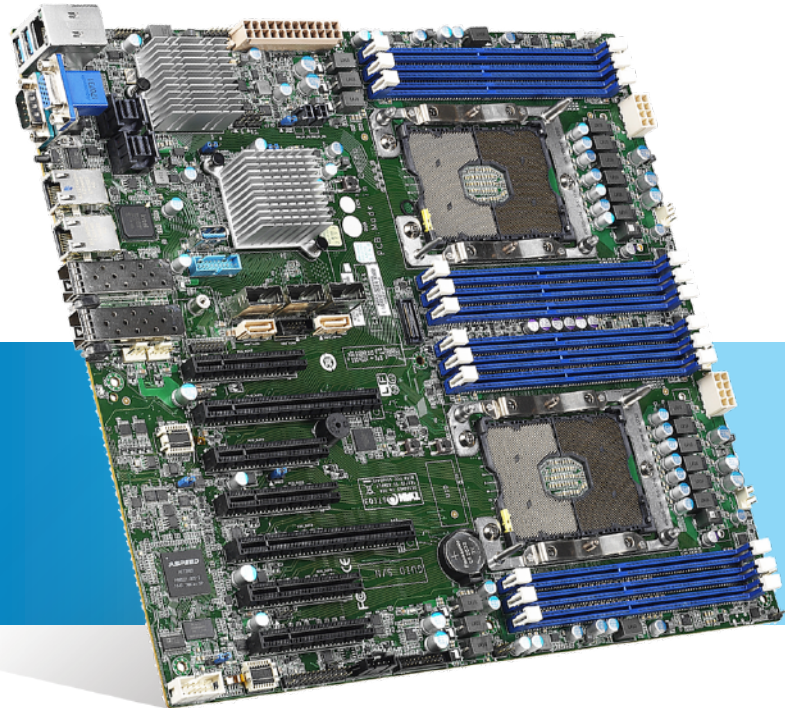
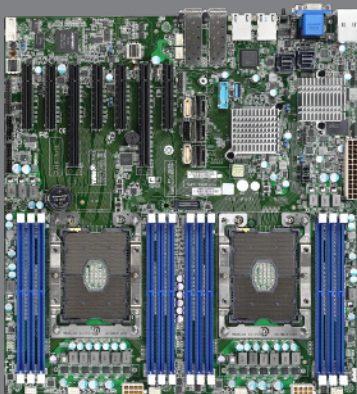


DUAL-SOCKET SERVER DEPLOYMENT



Tempest CX S7103

S7103GM2NR / S7103WGM2NR / S7103GM2NR-2F-L2
S7103WGM2NR-2F-L2 / S7103GM4NR-2F-L2
S7103WGM4NR-2F-L2



■ Intel® C621/C622 Chipset

cost-optimized dual-socket server implementation for general server deployment

- Dual LGA3647 socket supports (2) Intel® Xeon® Scalable Processor
- Intel® C621 or Intel® C622 (-L2 sku)
- (6+6) DDR4 DIMM slots DDR4 ECC RDIMM/LRDIMM 2666/2400/2133
- Up to 384GB RDIMM/ 768GB LRDIMM/ 1,536GB RDIMM 3DS/LRDIMM 3DS
Follow latest Intel DDR4 Memory POR
- (2) PCI-E Gen3 x16 slots + (5) PCI-E Gen3 x8 slots
- (2) SATA DOM+ (12) SATA/SAS ports by (3) mini-SAS HD connectors running at 6.0Gb/s w/ RAID 0, 1, 10, 5 support
- (8) SAS connectors running at 12.0Gb/s w/ RAID 0,1,10 support (-W SKU)
- (2) GbE ports + (1) PHY dedicated for IPMI (-2N SKU)
- (2) 10GbE ports + (1) PHY dedicated for IPMI (-2N-L2 SKU)
- (2) 10GbE ports + (2) GbE ports + (1) PHY dedicated for IPMI (-4N-L2 SKU)
- EATX (12" x 13") form factor



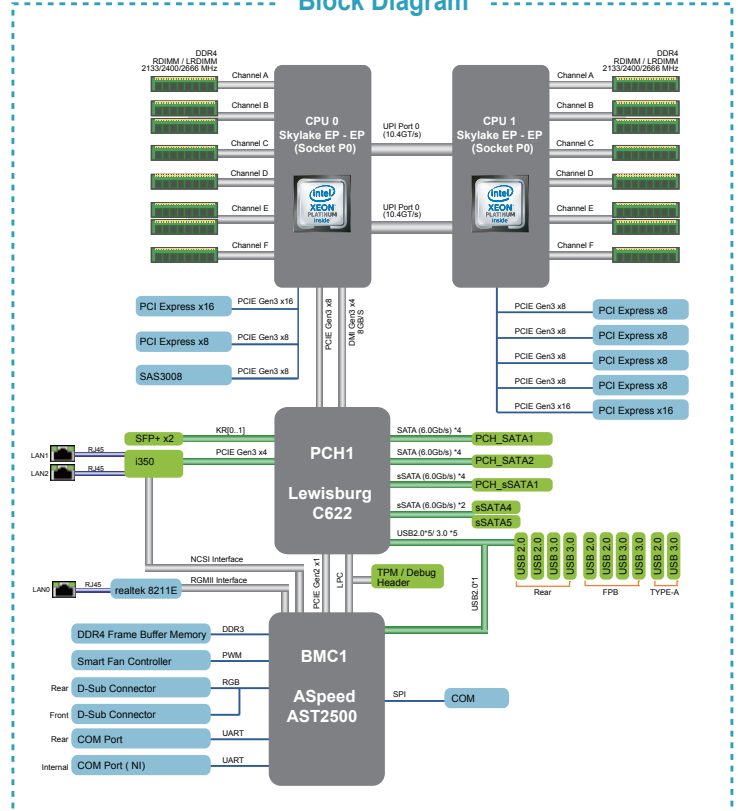
Tempest CX S7103

S7103GM2NR / S7103WGM2NR / S7103GM2NR-2F-L2
S7103WGM2NR-2F-L2 / S7103GM4NR-2F-L2 / S7103WGM4NR-2F-L2

TYAN Specifications

Processor	Supported CPU Series	Intel® Xeon® Scalable Processor	
	Q'ty / Socket Type	(2) LGA3647	
	Thermal Design Power (TDP) wattage	Max up to 205W	
Chipset	PCH / PCI-E Switch	Intel® C621 Intel® C622 (-L2 SKU)	
	Supported DIMM Qty	(6+6) DIMM sockets	
Memory	DIMM Type / Speed	DDR4 ECC RDIMM/LRDIMM 2666/2400/2133	
	Capacity	Up to 384GB RDIMM/ 768GB LRDIMM/ 1,536GB RDIMM 3DS/LRDIMM 3DS *Follow latest Intel DDR4 Memory POR	
	Memory channel	6 Channels per CPU	
	Memory voltage	1.2V	
Expansion Slots	PCI-E	(2) PCI-E Gen3 x16 slots (5) PCI-E Gen3 x8 slots	
	Port Q'ty	(2) GbE ports + (1) PHY dedicated for IPMI (-2N SKU) (2) 10GbE ports + (1) PHY dedicated for IPMI (-2N-L2 SKU) (2) 10GbE ports + (2) GbE ports + (1) PHY dedicated for IPMI (-4N-L2 SKU)	
LAN	Controller	Intel® I350-AM2 Intel® X722 embedded in C622 PCH (-2F SKU)	
	PHY	Realtek® RTL8211E	
	RAID	RAID 0/1/10 (LSI® Integrated RAID)	
Storage	SAS	Connector	(2) Mini-SAS HD (8-ports)
		Controller	LSI® SAS3008
		Speed	12.0 Gb/s
	SATA	Connector	(2) Mini-SAS (8-ports)
		Controller	Intel® C621 Intel® C622 (-L2 SKU)
		Speed	6.0 Gb/s
	sSATA	Connector	(1) Mini-SAS (4-ports) / (2) SATA-DOM
		Speed	6.0 Gb/s
Graphic	Connector type	D-Sub 15-pin	
	Resolution	Up to 1920x1200	
	Chipset	Aspeed AST2500	
Input /Output	USB	(2) USB3.0 ports (via cable) (2) USB3.0 ports (at rear) (1) Type-A USB3.0 port	
	COM	(1) DB-9 COM Connector	
	VGA	(1) D-Sub 15-pin VGA port (at rear)	
	Power	SSI/ATX 24-pin + 8-pin power connectors	
	RJ-45	(2) GbE ports, (1) Dedicated for IPMI	
	Front Panel	(1) 2x12-pin SSI front panel header	
	SATA	(2) SATA/SATA-DOM connectors (3) Mini-SAS (4-in-1) connectors	
TPM (Optional)	TPM Support	Please refer to our TPM supported list.	
System Monitoring	Chipset	Aspeed AST2500	
	Voltage	Monitors voltage for CPU, memory, chipset & power supply	
	Fan	Total (1) 2 x 10-pin headers	
	Temperature	Monitors temperature for CPU & system environment	
	LED	Over temperature warning indicator / Fan & PSU fail LED indicator	
	Others	Watchdog timer support	

Block Diagram



Server Management	Onboard Chipset	Onboard Aspeed AST2500
	AST2500 IPMI Feature	24-bit high quality video compression / 10/100/1000 Mb/s MAC interface
	AST2500 iKVM Feature	IPMI 2.0 compliant baseboard management controller (BMC) / Supports storage over IP and remote platform-flash / USB 2.0 virtual hub
BIOS	Brand / ROM size	AMI / 32MB
	Feature	Hardware Monitor / ACPI 5.0 / SMBIOS 3.0/PnP/Wake on LAN / Boot from USB device/PXE via LAN/Storage / User Configurable FAN PWM Duty Cycle / Console Redirection / ACPI sleeping states S0,S1,S5
Form Factor	Form Factor	EATX
	Board Dimension	12"x13" (305x330mm)
Operating System	OS supported list	Please refer to our Intel OS supported list.
Regulation	FCC (DoC)	Class A
	CE (DoC)	Class A
Operating Environment	Operating Temp.	10° C ~ 35° C (50° F~ 95° F)
	Non-operating Temp.	- 40° C ~ 70° C (-40° F ~ 158° F)
	In/Non-operating Humidity	90%, non-condensing at 35° C Non-operating Relative Humidity: 10% to 95% (non-condensing)
RoHS	RoHS 6/6 Compliant	Yes

(Specifications are subject to change without notice. Items pictured may only be representative.)

MiTAC Computing Technology Corp
TYAN Business Unit

USA
Tel: +1-510-651-8868
Fax: +1-510-651-7688

Taiwan
Tel: +886-3-327-5988
Fax: +886-3-327-6312

China
Shanghai Tel: +86-021-61431188 #1361
China Tel: +86-010-62381108 #2485

Japan
Tel: +81-3-3769-8311
Fax: +81-3-3769-8328

EMEA
Tel: +44 07540328523
Email: robin.daunter@tyan.com